

## Product Information

### PE Connection Lead STD



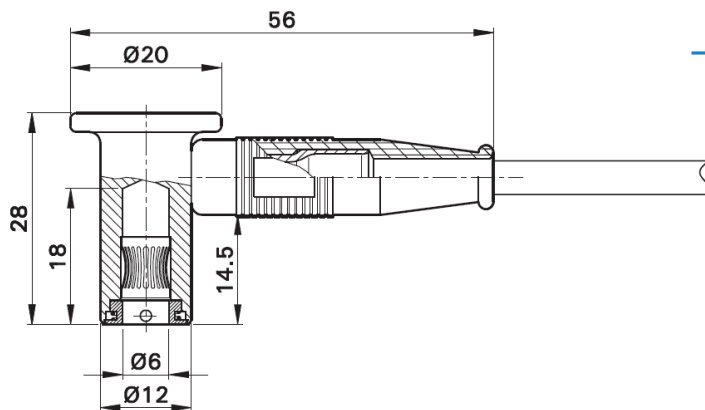
Highly flexible connecting leads with green-yellow insulation for potential equilization. On both ends with assembled right-angled, spring-loaded socket. Sockets made of nickel-plated brass with Multilam™ made of gold-plated, hard-drawn copper alloy. Various lead cross sections available.

#### Technical Data:

Part No.	Lead Cross Section	Length	Isolation	Color
2005710	4 mm <sup>2</sup>	1m	TPE	Green/Yellow
2005711	Additional 10cm cable for 2005710 up to the desired length			

Part No.	Lead Cross Section	Length	Isolation	Color
2005712	6 mm <sup>2</sup>	1m	TPE	Green/Yellow
2005713	Additional 10cm cable for 2005712 up to the desired length			

#### Technical Drawing Plug:



*These parts  
are TÜV tested.*